

(~~sequel~~ sequel to Shuffling Around, by Andrew Schuttz)

[Dusty Study] bookshelf, discom, tables beams, chair, notepad pin, palm, door.
open door. {Gunter/husk/news} n photo of Mole/Blms, latches {dank!}

lamp. (+) take notepad take latches {red paper} - treatise
Satchel (+) {from latches → device, puzzle}. x purse. x settler. {SCAN; TEACH/CHEAT;
switch, sticker} x sticker {going Save YORPWARD with WORDPLAY; Y in orange.
Scan giant pin (GIANT PIN RY RRYRR) push switch {giant pin, ten beams, tables, pavenet,
platform, pedestal, crabgrass}

Stable (+) {Egan go W}
IN → [Stable] from (RYRE) RAMP (+) {d to basement}
x discom {platform, pavenet, pedestal, crabgrass, water}
PAINTING (+) from GIANT PIN.
Scan TONBEAMS (RYRYRYRR)
BASEMENT (+) d.

Y's indicate where words go?
x note
PLATFORM/FARM PLOT
PAVEMENT/BEAM MAP
PEDESTAL/STEEL PAD
CRABGRASS/BRASS CRAB

d → [Basement] plaster, plates. STAPLE (+) STAPLER (+) {paperwall?}
STAPLE PAPERWALL (+)

IN → [Collapsed Old Places] Curtis, rifle, Blms. FLIGR (+) 1. 1.

{6 more stores, but not got switching stuff; stores P, T, U, V, W, Y}
store P? can't say in polite company POSTER
store T? people walk away; Blms feels dived
store U? ROUTES, hooked up to some place where people can't think straight
store V? used to be self-help books
store W? big ruined castle at end. ~~to~~
store Y? connects to sea; people get angry

1. U+V are easy; Y is too bad.
1.1. → [Trips Strip] sad ads, but not on H, K, N, P, T, U, V, W, Y.
understand.

ROUTES (+) {route to follow...} TOWERS (+) {cement towers}
Scan STORE V (RAYRYR) TROVES (+)
Scan STORE P (RAYRYR) PROBTO (+) {curvy, vortex}
Scan STORE T (YEAR) OTTERS (+) {path with others}
Scan STORE Y (YORRYR) OYSTER (+)
Scan store K (RYRYRR) TOKERS (+)
Scan store N (RYRYRR) NESTOR (+)
(center for smoke?)
store h (OTHERS) (+)

9/10?

enter route → [Poison Stripe] church (sign) bench, store (+sign), restaurant (+sign), ad

x ad (RADWAST) RYRYRR TOWARDS (+)

x bench (A GIANT'S) AGAINST (+)

x giant (TRADES) ~~SIDE~~ RTA

x church sign (BIG SIGN) INSIDE {giant prevents}

x store (OSCAR'S) YRYR ACROSS {giant prevents}

x restaurant (PAT'S) SPAT TAPS. PAST {giant prevents}

ASTRIDE (+) (BUG: ASK GIANT ABOUT GIANT)

x elbow. BOWZ (teh) BELOW (+)

x pipe {long, needs climbing} scans PIPE (YRYRYR) LOWPIPE? WOODPIPE?

OPPOSITE (+) {giant leaves!} ACROSS (+) → [Oscar's] Oscar, mixed books

PIPE FOOT? UNDER (+) {get hunched} out.

PAST (+) → [Pat's] seed pit, sign ~~same pit~~ RYRYRYR

TEPSIDE DESPITE (+) → mushrooms

out. INSIDE (+) [Cleric Circle] {y have all the items!} → find ORANDU LOGAN ~~signature~~ ?

ped orandu {he may have a ship?} x list {mushrooms, pipe foot, mixed books}

out. x thing. scan thing (RYRYR) form → FROM (+) l. x beam (THE BEAM)

Scan the beam (RYRYRR) BENEATH (+) [Unreached underneath]

Scan. (YRYR) ALONG (not quite) AROUND (too unlit)

UNTIL (from unlit) (+) AROUND (+) ALONG (+) → [Ripe Pier] met, sign

ABOARD (+) → [Ripped Red Guy] reach to "hit win" on controls

x reef (left = Thor hump right = new beet foot)

THROUGH (+) BETWEEN

WITHIN (+) BETWEEN (+) {Route, node: done!} → Trips Slip {uh-oh, crust is gone}

take notes → [Poverty] [get back] find right balance between taking advice & doing it yourself.
7y. Eto detail book, ATTACK it; negative emotions can warn a person, but may cause trouble later.
REAL CHANGE COMES FROM WITHIN. x pathos (lost hope)

late (+) CASE (+) → [Bad Velvet Boulevard] post, verbose
SPOT (yes, but look around generally first)
pushcart (verbose babbling, stop post, cellar door?) Skandora (RYRYR) RECALL (not yet)

enter atlas (y feel too drained to do this one now)
entering town → [Danger Garden] N, toaster, strudel, sludnut, serpent.
Scan serpent (RYRYR) RUSTLED (+) [get strudel, despite serpent] (doesn't appear in inv!?)
put strudel in toaster. (y eat it??)

anyway COILED → DOCILE (+) [Garden Garden (now)] take toaster.
N → [Scope Copse] prefect W, banana N, gnome E, scope CR.
Scan prefect (PONCIBR, RYRYRY) Scan banana (UNRIPB, RYRYR) → PUNIER (+)
COURTPE

(x scope seems to show on ASCII map of the region, with + at bottom left as start?)

Scan gnome (RRTOYR) GREEDY → GREYED (+)
PONCIBR → PORCINE (+) W → [Shaven Havens] rapier, repair machine

N of Scope → [Ruffian Fungus] icesheets W, precinct-o-bit E, hulk N
x icesheets (RIMIEST) x bit (REWIRE) WEIRDER? (two)
Scan " (RYRYRYR) MISTIER (+) Scan " (RYRYRYR) WEIRDER (+)

x hulk (MUSCLY) N → [Arenic Cenema] nebula N, thug E, yapper W
Scan " (RYRYRO) CLUMSY (+) Scan NEBULA (RYRYRYR) = UNABLE (+)
x thug (SWEATIER, RYRYRYR) = WEARIEST (+)
x yapper (ANGRIEST, YRRRYR) = ANGSTIER (+)

W of Cenema → [Outer Route] leaves. take leaves.
N of Cenema → [Savager Ravages] ~~duck~~ lone duck (RYRYRYR) UNLOCKED
— not yet, nothing else locked
& duck not cooperative yet.

e of Cinema → [Sattel Deltas] deacons E, or S.
Scan deacons (RTRYYR) hostile → HOLIEST (+1)
x orz (NTRRYR) ALARMING → MARGINAL (+1)

S of Deltas → [Dopiest Topside] ghost E, man S, Saver, digger.
the saver. take digger. scan ghost (RYRYRYR) : RELEASED → RESEAL (+1)
Scan man (RYRYRYR). flemish → HIMSELF (+1)

S of Topside → [Unblest Subbelt] neural, salesma.
↳ UNREAL (shocks if y get too close)
Scan salesman (DANDIGR, RRYRYR) : DRAINED (+1)

e of Subbelt → [Caneiest Canpate] admire E, yurts S, swim N.
yurts → RUSTY (+1) S → [host Lts] eclairs. N → (buck to Canpate).

Scan admiral (RYRYRYR) → MARRIED (+1)
Scan swimmer (RYRYRYR) : ORGANISED → GRANDIOSSE (+1)
N of Canpate → [Hevon Isle Shoreline] putes N, river E.

Scan pirates (RYRYRYR) : PASTIER (+1)
// E of Canpate → [Obscurest Subsector] log-gaol, Dr You.
WORDY (+1) only temporary. scan gaol (STEEGATE, YRYRYR)

N of Shoreline → [Attentionless Coastline] calmer with smart kid
// @ Havers : put digger in machine (+1) : I ZOMG (Gyro)

// put lower in forster (you've already got Kray vision)
// push retage @ You when wordy // push repeat @ duck {it recognizes You's voice,
duck follows // when duck is at You : UNLOCKED (+1) - the duck's foot is the key!

ROWDY (+1) push retage // ask kid about you (he follows y to him)
after him you.
WORDY - too dull. ROWDY - too much. Scan kid (YRYRYRYR)
x kid TENTATIVE
ATTENTIVE (+1) ✓

{kid runs off to Coastline; You + duck go elsewhere} // @ Coastline: give gyro to kid.
x skins. Scan turkos (RYRYR). Scan blaster (RRYRYR) wear skins → [Swat Taverns]
ROBUST (+1) STABLER (+1) out [mist/hints] leap
accurate leap,
curst palme.
RRTRYRYRYR

Rodney : Andros, Demetri, Ernest, Shane, Dalthe (Dyinh) → out [mist/hints] leap
YONDER (+1) RRYRYR, RYRYR, RYRYR, ASHEN (RYRO) DINKY (+1) curst palme.
SNARRED (+1) TIMIDOR (+1) TENSER (+1) SPECTACULAR (+1)
34/35 (w/m note)

enter oyster → [Marie's] jukbox, doofah door, Casper, book: Casper's Recaps, stein, lines, a jukbox (needs Joke Box; btms, warning: TIPS: ---- to stop music.)

Scan times (RYR) INSET (+) SPIT (+)
Scan cups (RRR XY/GPY; RRR TRY) SCRAP (not yet)
Scan doofah (RRRYR) SCRAM (Marie's) → (+) [Hens' Shore]
nora, message, clam, sign - (A RIVER ~~proper~~ noise summons SCRAFT) IM PROPER?

fart (not yet, get rid of clam first) CALM (+) or CLEAN.
Scan nora (YRXYR) ARRIVE (+) & [Anger Rage] ^{-OR-} Part → raft appear. get on raft → [Anger Rage]

plains N, camps, pikes, trout. SPIKE (+) or SCRAP (+). trout goes E.
x red letters. (Etain Ra. Near-Hot Hunter.) ← [Blowfish Fishbowl]
UNBATH (needs shovel thing) ORN to [Lapsin Plains]

c [Blowfish Fishbowl] listen. SEEK (+) prompts.
d [Blowfish Fishbowl (Aunt Tura's home)] trout, tuna, puzzle, desk, ten tray.
x desk (duwa). Scan tea. EAT (+) (get 1/2 pearl)
Scan trout (RYR) TUTOR (+). REWARD ~~(+)~~ (+) [bubble wrap]

Scan wrap (RYR) WARP (not in Tura's home) only eat w.
w. n. [Lapsin Plains] door, message, hats, debris, crate, knots, skins.

BONK (+) [last] KISS (+) {skins} scan crate (RYR) TRACE (+)
Scanderim (RYR) OLTRAP → PATROL/PONTAR (+)

// S of Anger is X (nora); W of Anger → [Acher's Arches] sardine, arches N
warp (+) [Embry] scan nuby (RYR) search arches (+) {gleamer?} ^{propelled}
scan gleamer (YRXYR) N → [DIE TADU hideout] man. in (valleyses throw out)
SEARCH (+) x gleamer {see how to get to OYSTER D} (DESTROY?)

@ Plains: scan crate: (RYR) REAPT (+) in [Shovel Hovel]
heaps → SHARP (+, shovel, a dagger) // UNBATH/BURY @ Anger → (end game, ghost makes
BURY @ hideout (+) / UNBATH @ Anger → (+; hunter, sausage)
ASSUAGE (+) {bat guy buried his nuby} W. N (+) {hunter claims nuby; man open}
in [Oyster D] lever, red toys REVEL (+) DESTROY (+) {win OYSTER note}

X Chapter patcher (@TigerStrip)

Switch patches → @pocket & hoster, vortex, traves, now y can see behind others

enter smoke → [Cruelst lectures] passage to Studio E, tedious; Ian (a Ding Borden)

X lecturer (expensive suit + tie) X Ian + y. (Ian wants a word for him to lecturer)

X reflections (I USED TO...) scan lectures (YRRYRY) OUTSIDE (H) →

Tiger Strip { + get mesh mercuries }

(straw region)

PRESTO (H) { get crust (SI bit left) } enter vortex → [Spurred Tar]

hump W, maye N, lamb, plebe (not BARM, not BLEEP yet - need authority clothes?)

scan hump (YRR) UMPH → [Austere Treasure] gold onyx censor, win, E.

(together: RYRR/RR → GOLDURN (H) { gold was gone; onyx censor taken

scan censor (RRRYR → SCREEN) { not yet; in apparatus for a screen }

E { we have a star on?!? } ~~scan patcher~~ maye (RYRRYR) MAZELTOV (H)

{ X player }

l. X ether (RRYR) THEAS. (H) { y need backup }

S → [Purest Dam] dam W, cliff E, yak, dent, star in red stamp

DRAT (H; get dent) RATS (H; get star) KEYBOARD { need a nonviolent way to say yak + yoke }

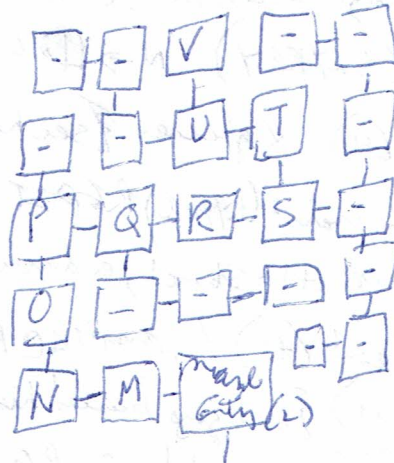
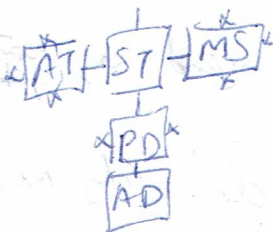
S. [A Dumpster] N, Ruckus, Leo OLB (H; head dezel) CRIBBY (H; Ruckus neutralized)

// @ Tar: BLEEP (H) { plebe gone } ↔ [Marines Semicon] popgun. X number [BISI149]

take popgun. scan it (RYRRY) W. BLAM (H; Lamb) ARTS (clubby stopped)

BOING (BISI149) - { not quite } BINGO (H) POT DART IN AW. (if you eat all aw, it's gone)

// WHASSUP { from WASHUPS, up } (L1)
N.N.N. THERE (H) N → [Peinadist]



Another Maye loop

[Pleemadust] lowered hedron of ice N. scan ice {RXYR}

"Haw" -> WHAT (+) {shack N} N {no, need to get rid of Leo + Ricky first}

l. x sign. TOUGH (+) {from OUGHT} SO LONG. (+) {ALERT -> ? ALTER x LATER ✓}

Need 2 of these 3 { N [Hacks' Shack]

clock, dead flea, disk, coal, fount, trim socks, gum,

table, {hard drive, text book}, scratch paper.

x gum (reverting) x drive (blue + orange buttons) signature ("M&L COPI" in red) COMPILER
"to be or" "Not to be"

x digging clock. x clock sep.

SS: Penser, flea, gum, sap, disk, paper, coal, fount, socks, blue button. (REBOOT)

SCREEN: No input device yet. x mug. (refills in any beverage)

Scan clock sap (RYRRYRR): CAPS LOCK (+)

Scan fount (RYRYR): FUTON (+)

Scan coal (RYRY): COLA (+) PUT COLA IN MUG. (endless cola now)

Scan disk (RYR): SKID (+) KIDS. (chek) {we can PULL SKID}

Scan flea (RYR): LEAF (+) {food for yak}

x text book {133} pgs long, random pgs; assemble, then program} PAD HACKING.

Scan trim socks (RYRRR YRRR): ROM STICKS (+)

// pull skid S * - / put leaf on skid {yak get on + starts moving}

{now what? we can pull the skid + move the yak, but cant get yoke of x scratchings}

SHOW TEXTBOOK TO YAK (yak drops yoke + leaves in leaf)

x SCRATCHINGS. KEYBOARD (+) PUT KEYBOARD ON TABLE. PUT CAPS LOCK ON KEYBOARD

SCREEN (+) PUT SCREEN ON TABLE. DISK. PUT DISK IN DRIVE.

REBOOT (+); auto-insert ROM sticks first} {program appears}

COMPILER (error) SLEEP (on futon) COMPILER (+) DRINK COLA

EAT CRUST. Scan screen (RYRYR), budge -> DEBUG (+); presto node node!

(after 2 node wires, Elmo leaves a new item: the chapter patcher.) 28/27

OTHERS (+). x others "Man, Someone's evil will pay up."

(The servants at Sewas Taverns Carriage!)

BLAKE: (RYR) BLEAK (+)

EDWIN: (RYR) WING (+)

TERRANCE: (RYR) RECREANT (+)

"clear catsup" instead of "accursed deep" & hints.

→ finishing Towers made "evil" on others go bold.

OTAGES (+) & hoster. enter hoster {under construction until Spring this is over}

→ finishing ROUTES made "up" on others go bold.

/// [Bed-Velour Boulevard] stop post, verhoise kabbings

OBSERVE (via verhoise). SPOT (+) & bee. scan-see (RYR) g. CRYCRY

l "evil bee" BELIEVE (+) take bee (? ✓) & (bee's head?)

REASON? (how does bee's head become that?) (+) & ethics {no more advice! BIG}

RECALL (+) → [Boredom Bedroom] sad pier, diapers, spider.

DESPAIR (+) l. & date. DEAR (+) & brochure. (RESIDE)

DESIRE (+) → [Pinky Cross Skyscraper] bldg W, statue, "west" & statue "HE WHOM PRAISE RIVETS" & butchy ("PROPERTY IS PRESERVED")

STRIVE (+) - ASPIRE (+). STEW (+) → [Very Top]

fun, ^{stream} ~~potato~~, noreplate, checklist, disk, lamps, door E, salt, layer, meal. & checklist (egg, secure private VIP note) {knoting REGION} IGNORE (+)

sun stream (RYR) MASTER (+)

x noreplate (MIDWEST) sun - Brown

x salt: LAST (+)

x larger: GLARE (+) & meal. scan lobster (RYR): BOLSTER (+)

l. {singer} RESIGN (+); TROVES note done! 19/19 ("will" on others is bold)

{ ready for others? } enter others [Bleary Barley] (y don't have full power here)
 Scan Barley (RYRYRO) BARLEY (+) # to west is Ed Riley
 REEDILY (+) W [Maiden Mehan] N/S/W/E., ~~creeps~~ creeps, demsel, Sad elm.

(REALITY) : scan creeps YRYRYRO. IRATELY (+) ^{3w} mathergots; Angelica
 LOCALITY (RYRYRYRO) :
 LINDSEY (RYRYRYRO) : SNIDELY
 MARITALLY (RYRYRYRO) : SHADILY

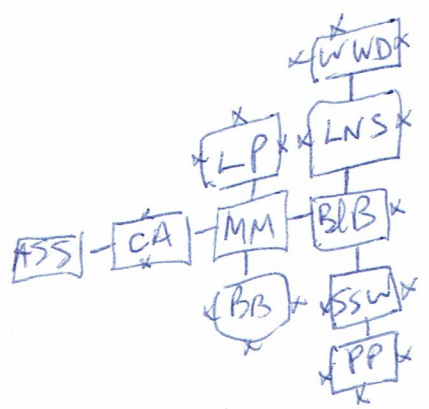
LAST VISIT / ~~Horset~~ (RYRYRYRO) : SHADILY
 MARITALLY (RYRYRYRO)

S of Medina → [Bran Barn] Mr Lee, "Aunt GLEAT, HUA?" (YRARRYRR) : ALTHOUGH (+)
 { hee is unimpressed; no antagonist } / W of MM → [Covalab Alcoros] Merley + Olmer.

"hoony rise" (RYRYRYRO) : SERIOUSLY (+) { pill seems to be missing }
 W (can't take on hydroa get) ask elmer alt hydroa ("Wehe the new-come's monster ments making REAL animals.")
 / N of MM → [hoop Pool] island, meat, eels in sea cube.

BECAUSE (+) ELSE (+) { skills restored } / @ Barn: ALTHOUGH (+); marble pix
 scan pix (RYRYRYR) "veer how" → HOWEVER (+) { perhaps y know pix, y do - shake }

{ Also wants seediest seed site } / N of Barley → [Less Nice Silences] sly imp
 butterfly → BROUZY (+) facetly/cattily. listen. l. Margily → ANGRILY (+)
 N → [Whisper Wire Deck] ocelots i sunglasses, leopard, badger, satyr, owls
 SLOW (+). ARTSY (+) BARBED (chh). GARBED (+). scan leopard (RYRYRYR) : PAROLED (+)
 COOLEST (+) // SA BUB → [Southward Shout Wart] noise, ren jallyhoing → LEATHINGLY (+)
 callosity → STOICALLY (+) S → [Pewee Preserve] corona (c), nails, thrones, pines, raptor - PARROT (+). SNAIL (+)
 SPINE (chh) PENIS (chh). SNIPS (+). HORNETS (+)
 RAZOON (+). N { parrot follows you }



@ photo: RAPTOR (+) { it beats hydroa }
 W. [A Stocked Stockade] sulfuryl, clone.
 l. { need fighters uniparous to he chums }
 i { Welsh Whistle } play whistle (LUCKY + 1A medals)
 QUICKLY (+); The 6th; 26/26

- Romoshly - Knockover Gunter knots
- Call the cola POP or SODA.
- MUSING - list of prices - CRIPPS
- do smethy wth OARS
- EASTERN wild discuss Rweethlers
- neural pulses could be become unreal
- maybe try the nothing region